

# INGERSOLL AXLES-IMT

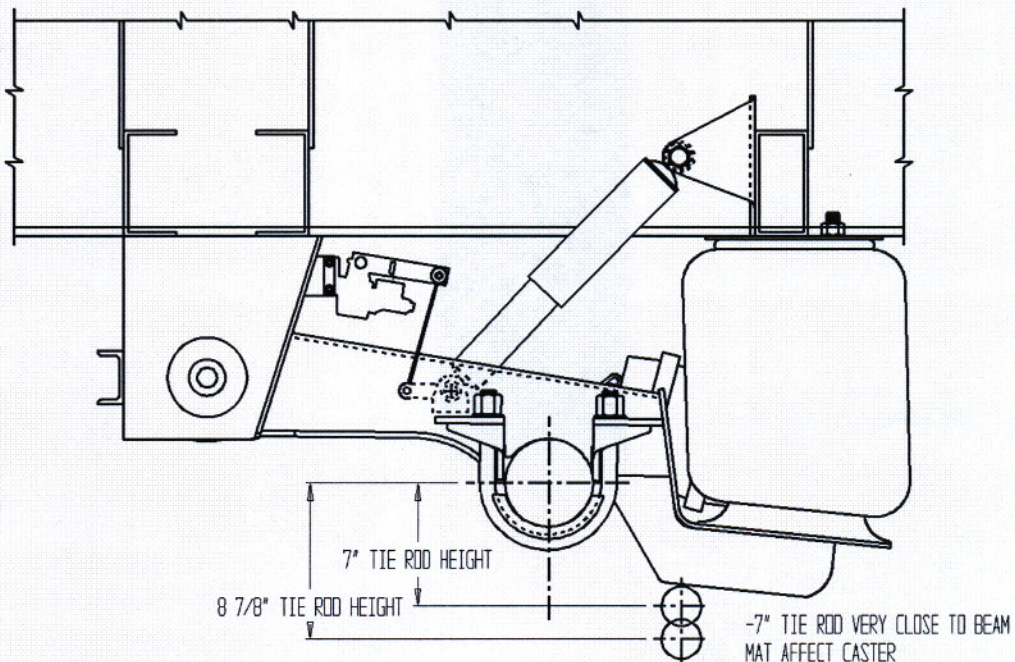
## PRODUCT BULLETIN – TECHNICAL UPDATE

October 31, 2006

**SUBJECT: SSA Axle Tie Rod**

Over the last few years, IMT has developed a series of friendlier self steer axles to fit a Hendrickson HT250TB suspension.

Customers with approvals or who are currently using a (-7") tie rod height should change their future orders to a (-8 7/8") tie rod height. Below is a cross reference chart of old to new model numbers. This change will not affect any frame clearances etc. on installations to date.



**Hendrickson HT250 friendly Model #'s.**

Old model #	Old Tie Rod height
SSA 700338	-7
SSA 700513-1	-7
SSA 700362	-7
SSA 700701	-7

New model #	New Tie Rod height	Track length	Spindle Type
SSA 700923	-8 7/8	77.5	F22
SSA 700924	-8 7/8	77.5	F24
SSA 700899	-8 7/8	84	F22
SSA 700912	-8 7/8	84	F24

Please address all technical inquiries to IMT Engineering at:  
1-800-663-2953 or 1-519-485-2210.